

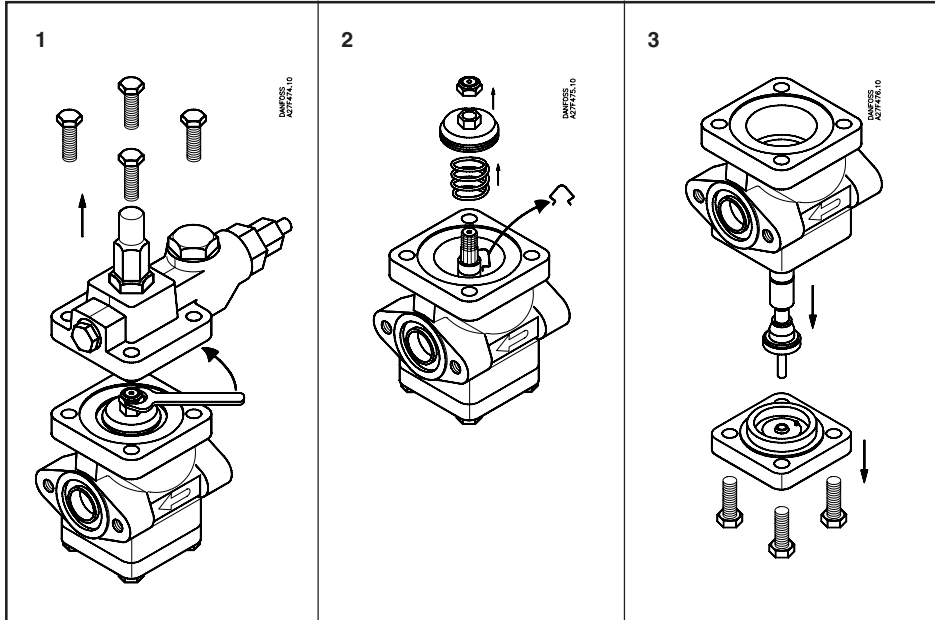


# INSTRUCTIONS

## Damping cylinder for PMFH

027R9507

387



027R9507

